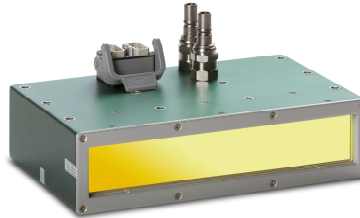




## NobleCure® IRIS

UV-LED Unit



### NobleCure® IRIS Series

#### Technical data:

Model	IRIS 250			IRIS 375	IRIS X2		
Peak Wavelength <sup>1)</sup> [nm]	365	385	395	385	365	385	395
Typ. irradiance <sup>2)3)</sup> [W/cm <sup>2</sup> ]	15	14	16	14	15	14	16
Emitting window [mm <sup>2</sup> ]	254 x 45			385 x 45	142 x 66		
Electrical connections <sup>4)</sup> [kW]	Max. 2,9			Max. 4,4	Max. 2,9		
Weight [kg]	~ 3,5			~ 4,7	~ 3		
Coolant flow [l/min]	7-8			10-12	7-8		
Outer dimensions of housing (WxDxH) [mm <sup>3</sup> ]	275 x 178 x 72			400 x 177 x 72	211 x 102 x 97		

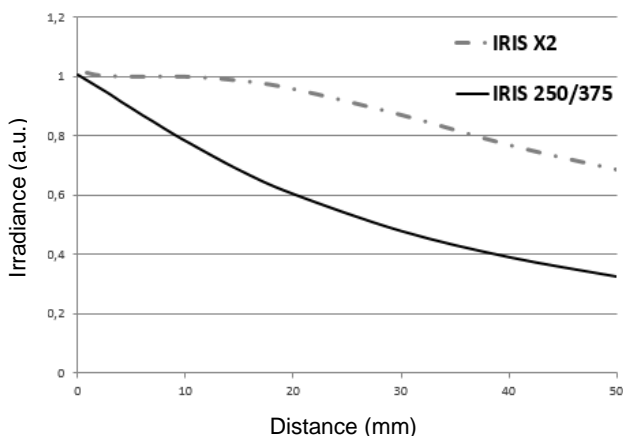
<sup>1)</sup> Tolerance +/- 5 nm.

<sup>2)</sup> Value applies to specified cooling conditions and maximum lamp current.

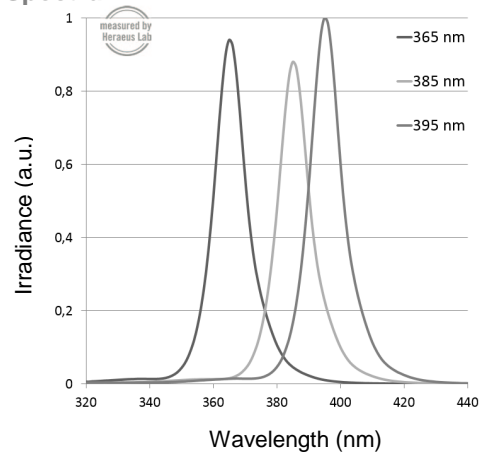
<sup>3)</sup> Typical irradiance at emission window.

<sup>4)</sup> For the operation of the LED unit a 19<sup>th</sup> Heraeus Power Supply (PSCC2) is recommended.

#### Typ. Irradiance as a function of distance:



#### Spectrum :



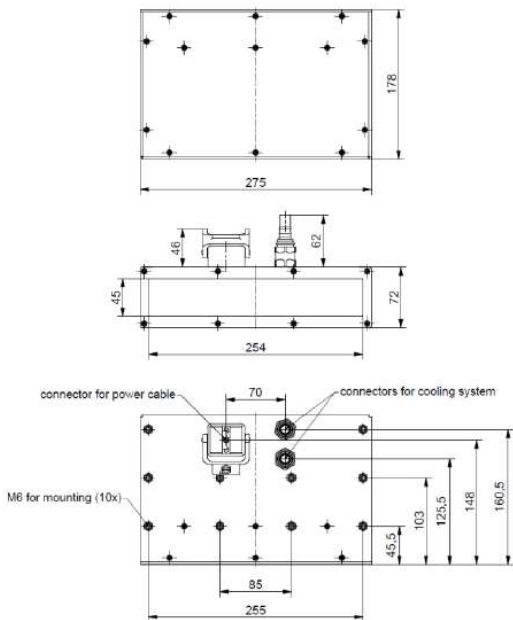
## Operating conditions:

- Type of cooling: Liquid
- Temperature of supply coolant: 20 – 25°C
- Coolant pressure : Max. 3,5 bar
- Expected useful lifetime<sup>5)</sup>: typ. >15.000 h

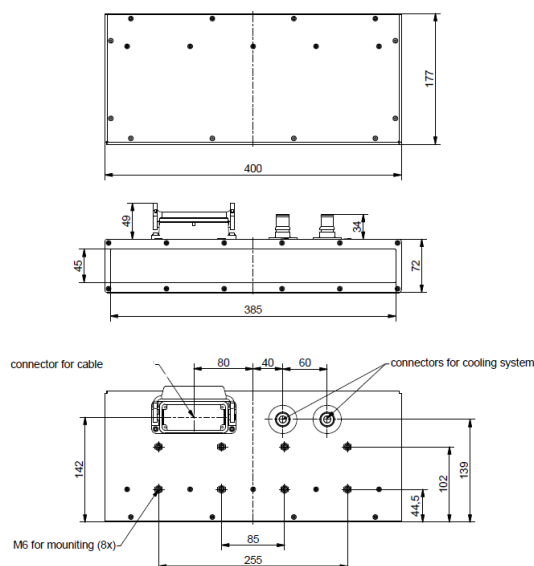
<sup>5)</sup>Maximum intensity decrease of 30% compared to the intensity at the delivery. The intensity decrease was determined under laboratory conditions and is dependent on the operation and environmental conditions.

Dimensions: Drawing not to scale

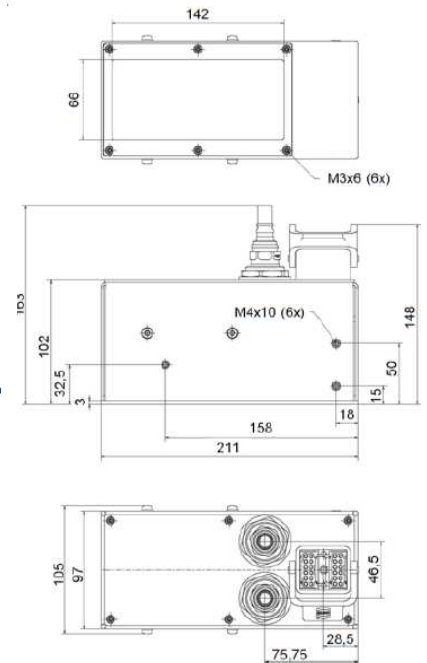
### IRIS 250



### IRIS 375



### IRIS X2



The comma is used as decimal marker and the dot as thousands separator.

Heraeus Noblelight reserves the right to change drawings and technical data in this Technical Data Sheet. The latest updated version of the Technical Data Sheet is prevailing. It is within the responsibility of the customer to check whether the latest updated version of the Technical Data Sheet is available to him.

Germany  
**Heraeus Noblelight GmbH**  
 Heraeusstraße 12-14  
 63450, Hanau  
 Phone +49 6181 35 4499  
 Fax +49 6181 35 164596  
[hng-uv@heraeus.com](mailto:hng-uv@heraeus.com)  
[www.heraeus-noblelight.com](http://www.heraeus-noblelight.com)

USA  
**Heraeus Noblelight America Ltd.**  
 910 Clopper Road  
 Gaithersburg, Maryland  
 20878-1357, USA  
 Phone + 1 301 527 2660  
 Fax + 1 301 527 2661  
[info.hna.uvp@heraeus.com](mailto:info.hna.uvp@heraeus.com)

Japan  
**Heraeus K.K.**  
 Noblelight Fusion Division  
 Sumitomo Fudosan Otowa Bldg. 2F  
 2-9-3 Otsuka, Bunkyo-ku,  
 112-0012, Tokyo  
 Phone +81 3 6902 6602  
 Fax +81 3 6902 6613  
[info.hkk@heraeus.com](mailto:info.hkk@heraeus.com)

China  
**Heraeus Noblelight (Shenyang) Ltd.**  
 No. 406, Guilin Rd, Xuhui District  
 16th Building, Room 502, 5F  
 2F, 5th Building 5  
 200233 Shanghai  
 China  
 Phone +86 21-5445 2255  
 Fax +86 21-5445 2410  
[info.hns@heraeus.com](mailto:info.hns@heraeus.com)