



NobleCure® Altair

UV LED unit



NobleCure® Altair Series

Technical data:

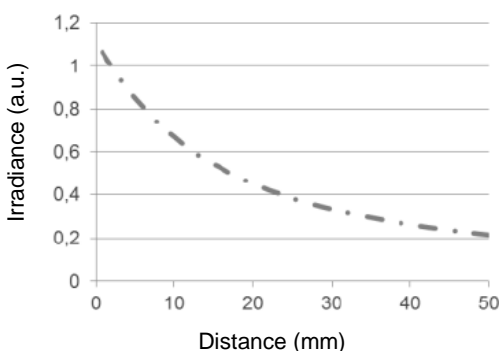
Model	75			125			150			250			350		
Peak Wavelength ¹⁾ [nm]	365	385	395	365	385	395	365	385	395	365	385	395	365	385	395
Typ. Irradiance ^{2) 3)} [W/cm ²]	4	3,3	3,7	4	3,3	3,7	4	3,3	3,7	4	3,3	3,7	4	3,3	3,7
Emitting window [mm ²]	80 x 13			135 x 13			160 x 13			260 x 13			360 x 13		
Electrical connections [W]	Max. 130			Max. 275			Max. 300			Max. 500			Max. 635		
Weight [kg]	~ 0,9			~ 1,6			~ 1,7			~ 2,8			~ 3,3		
Outer dimensions of housing (WxDxH) [mm ³]	121 x 289 x 42,4			193 x 213 x 70			218 x 213 x 70			329 x 213 x 70			430 x 213 x 70		
noise level [db]	65			65			65			68			69		

¹⁾ Tolerance +/- 5 nm.

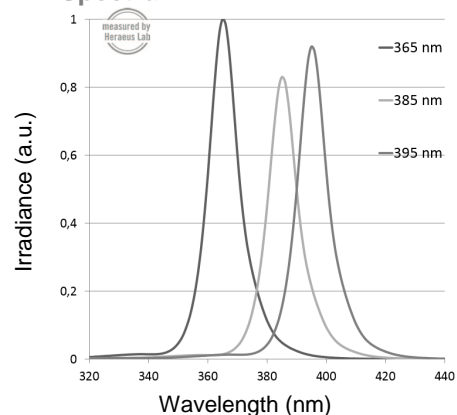
²⁾ Value applies to maximum fan speed and maximum lamp current

³⁾ Typical irradiance at emission window.

Typ. Irradiance as a function of distance:



Spectrum :



Electrical data:

- Mains connection: 32 Vdc (±5%)
- Dimming⁴⁾⁵⁾⁶⁾: 0 – max. 5 Vdc

⁴⁾ Continuous with control.

⁵⁾ For Altair 125 – 350

⁶⁾ For Altair 75 internal dimming with 4 levels (25%, 50%, 75%, 100%)

Operating conditions:

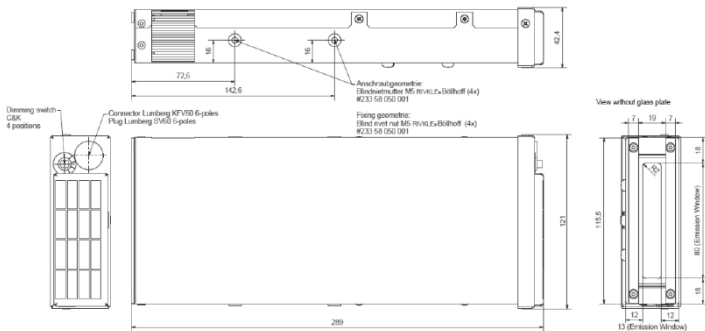
- Type of cooling: internal fan
- Ambient temperature in operation : 10 – 40°C
- Relative humidity: Max. 80%
- Expected useful life time⁷⁾: typ. >15.000 h

⁷⁾Maximum intensity decrease of 30% compared to the intensity at the delivery. The intensity decrease was determined under laboratory conditions and is dependent on the operation and environmental conditions.

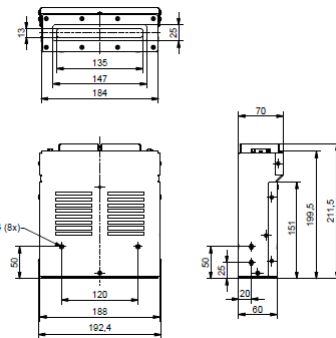
Dimensions:

Drawing not to scale

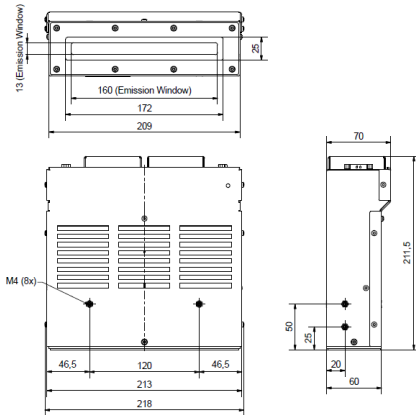
Altair 75



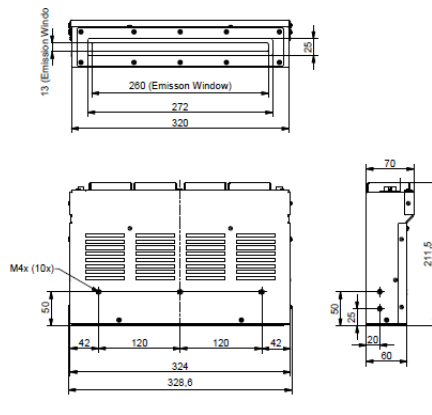
Altair 125



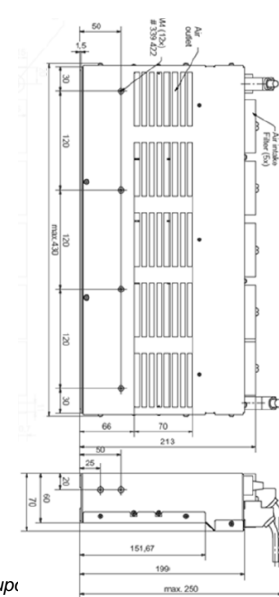
Altair 150



Altair 250



Altair 350



The comma is used as decimal marker and the dot as thousands separator.

Heraeus Noblelight reserves the right to change drawings and technical data in this Technical Data Sheet. The latest up Technical Data Sheet is prevailing. It is within the responsibility of the customer to check whether the latest updated version of the Technical Data Sheet is available to him.

Germany
Heraeus Noblelight GmbH
Heraeusstraße 12-14
63450, Hanau
Phone +49 6181 35 4499
Fax +49 6181 35 164596
hng-uv@heraeus.com
www.heraeus-noblelight.com

USA
Heraeus Noblelight Fusion UV Inc.
910 Clopper Road
Gaithersburg, Maryland
20878-1357, USA
Phone + 1 301 527 2660
Fax + 1 301 527 2661
info.hnfn@heraeus.com

Japan
Heraeus K.K.
Noblelight Fusion Division
Sumitomo Fudosan Otowa Bldg. 2F
2-9-3 Otsuka, Bunkyo-ku,
112-0012 Tokyo, Japan
Phone +81 3 6902 6602
Fax +81 3 6902 6613
info.hkk@heraeus.com

China
Heraeus Noblelight (Shenyang) Ltd.
No. 99 TianZhou Road
16th Building, Room 502, 5F
200233 Shanghai
China
Phone +86 21-5445 2255
Fax +86 21-5445 2410
info.hns@heraeus.com